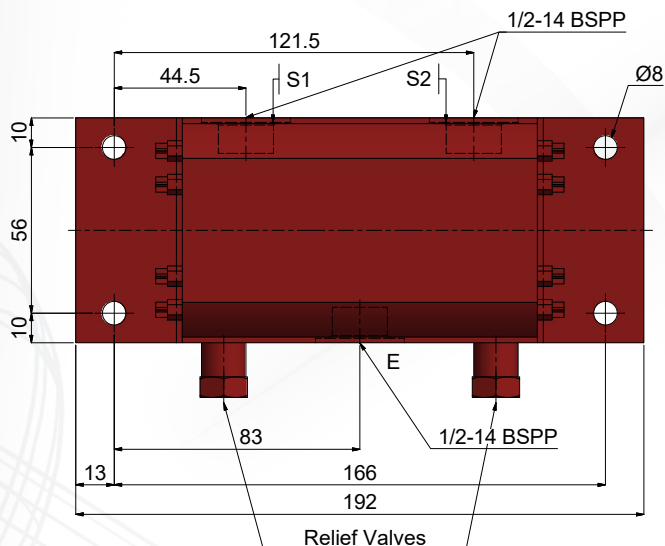
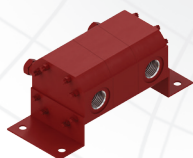
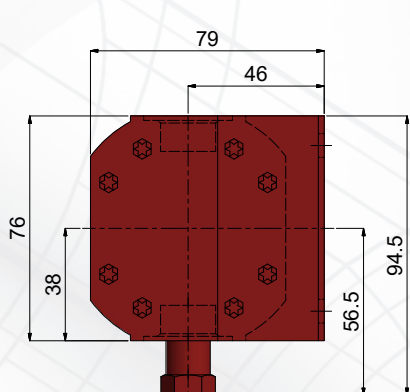
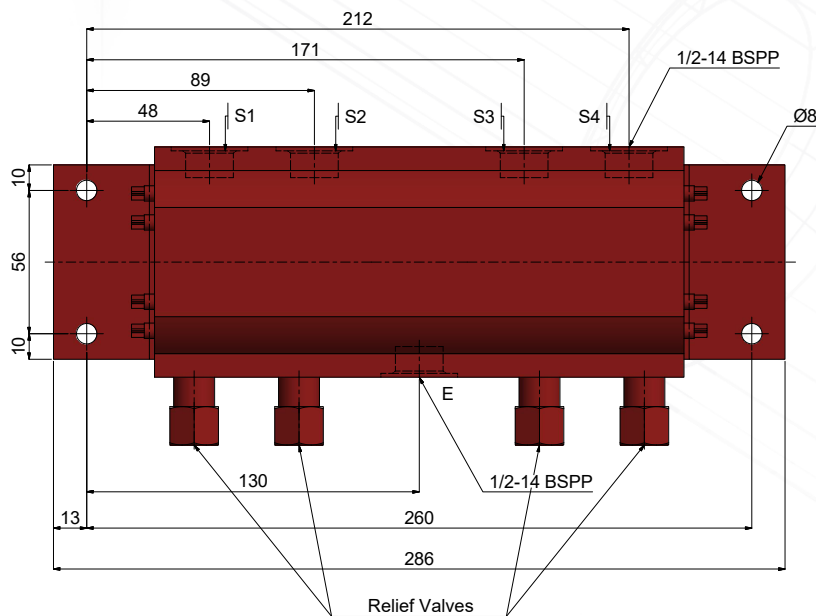
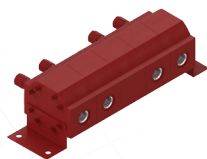
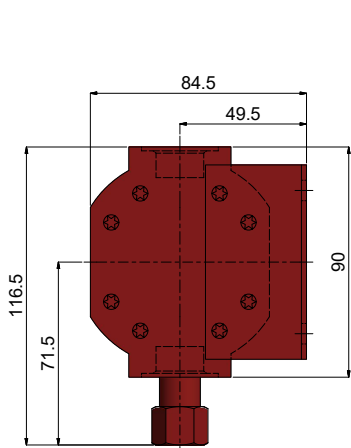


TECHNICAL SPECIFICATIONS / **SPÉCIFICATIONS TECHNIQUES**  
 TECHNISCHE SPEZIFIKATIONEN



Soupapes de sécurité / Druckbegrenzungsventil

Ref.	Nr of section	Displacement (cm <sup>3</sup> )	Flowrate per section at 2000 RPM (l/min)	Inlet flowrate at 2000 RPM (l/min)	Flowrate per section at 3500 RPM (l/min)	Inlet flowrate at 3500 RPM (l/min)	Pressure (bar)	
							Inlet	Outlet
DR 1-2	2	2,11	4,23	8,46	14,80	29,60	200	240
DR 2-2	2	4,23	8,46	16,91	29,60	59,19	200	240



Soupapes de sécurité / Druckbegrenzungsventil

Ref.	Nr of section	Displacement (cm <sup>3</sup> )	Flowrate per section at 2000 RPM (l/min)	Inlet flowrate at 2000 RPM (l/min)	Flowrate per section at 3500 RPM (l/min)	Inlet flowrate at 3500 RPM (l/min)	Pressure (bar)	
							Inlet	Outlet
DR 1-4	4	2,11	4,23	16,91	14,80	59,19	200	240
DR 2-4	4	4,23	8,46	33,82	29,60	118,38	200	240